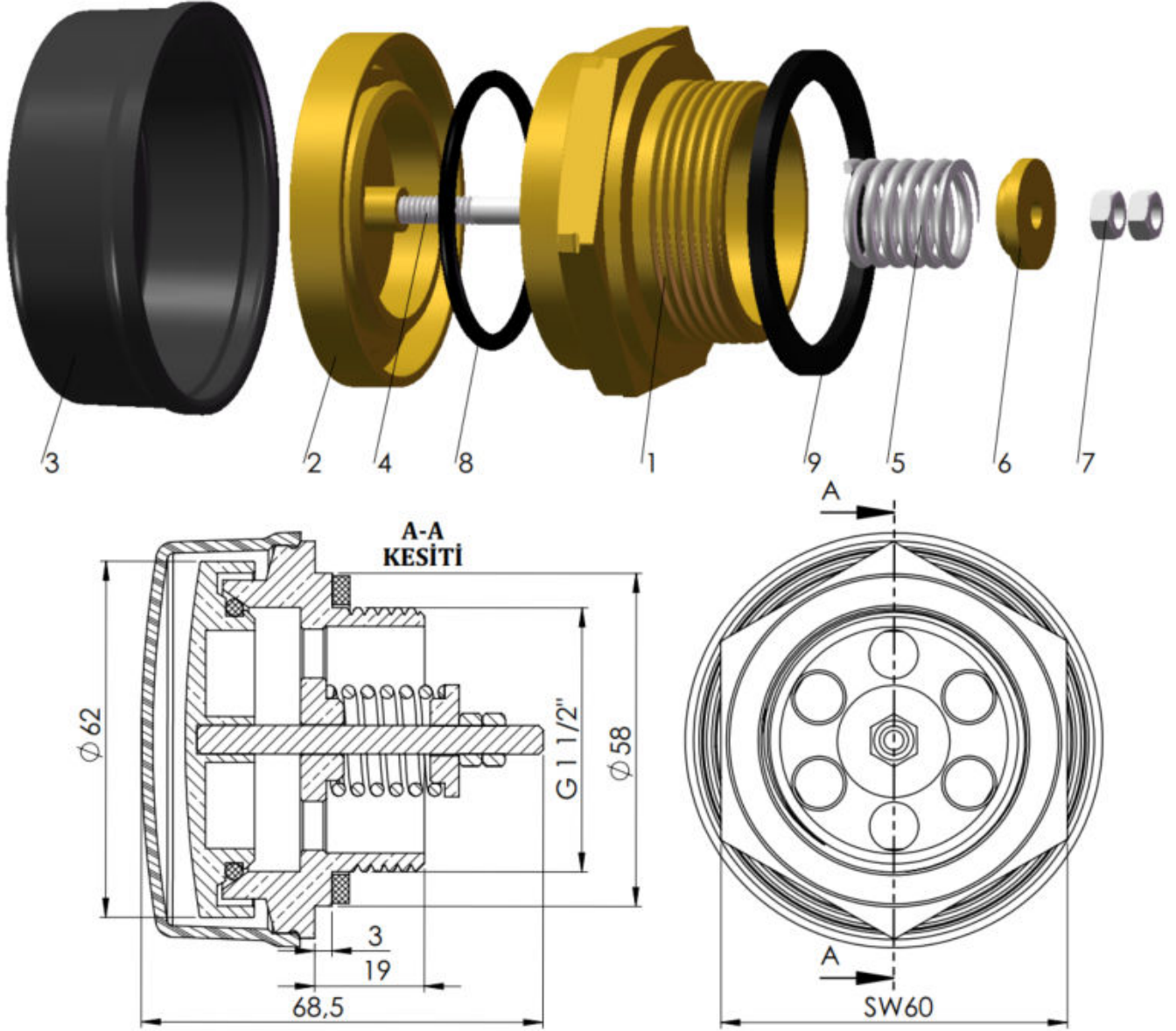


PRESSURE RELIEF VALVE - G1 1/2"
 Basınç Emniyet Valfi - G1 1/2"

Connection	Code
G1 1/2"	MH.432



Component List			
No	Qty	Description	Explanation
1	1	Body of valve / Valf Gövdesi	MS58
2	1	Cap / Kapak	MS58
3	1	Production Cap / Muhafaza Kapağı	PA6
4	1	Stud bolt / Saplama	M5x60 / inox
5	1	Spring / Baskı Yayı	19x2x24
6	2	Washer / pul	MS58
7	1	Nut / Somun	M5 / inox
8	1	O-ring	NBR70
9	1	Gasket / Conta	NBR70