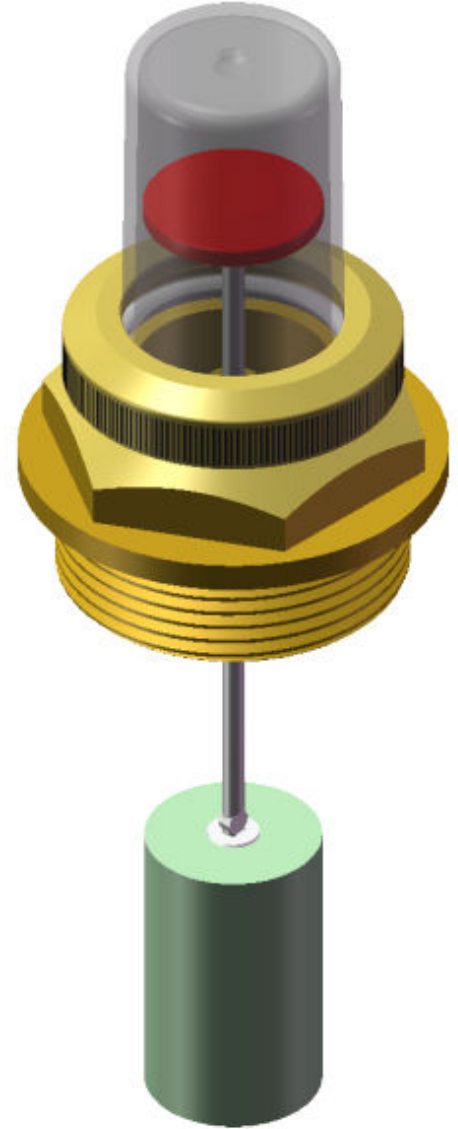
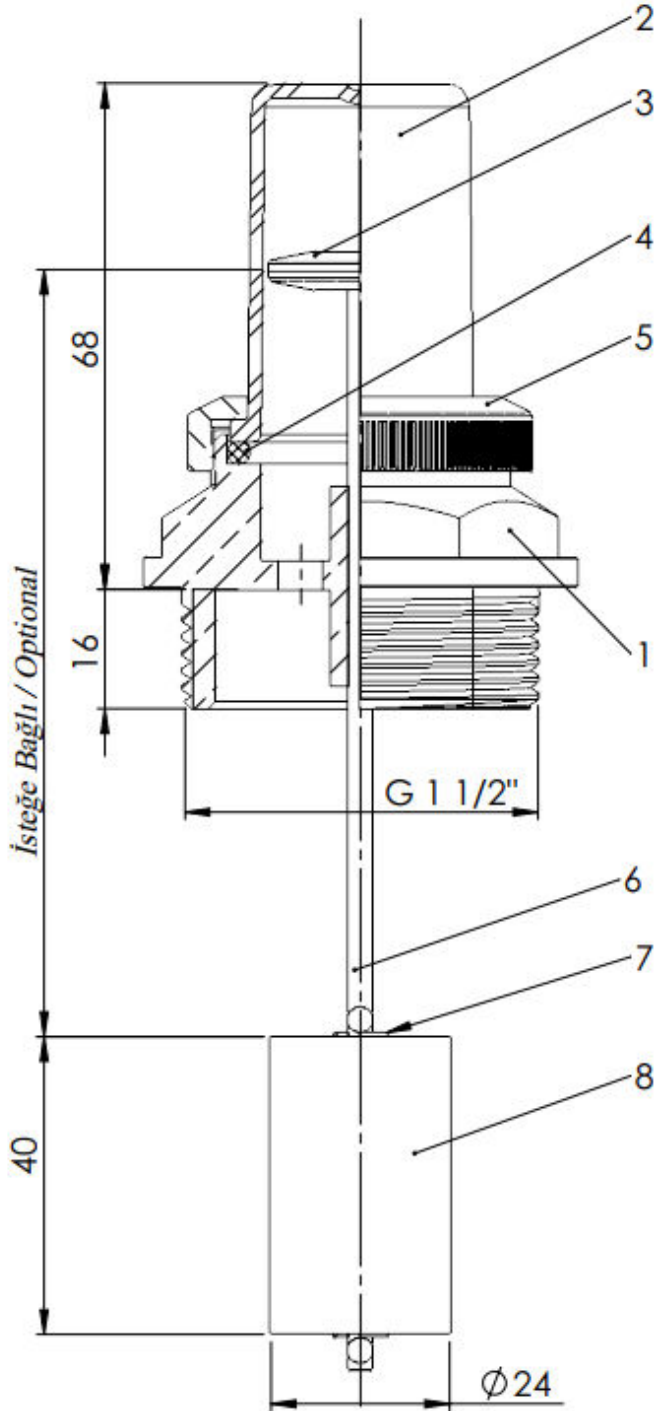


VERTICAL OIL LEVEL INDICATOR- G1 1/2"
 Dik yağ seviye göstergesi - G1 1/2"

Connection	Code
G1 1/2"	MH.234


Component List

No	Qty	Description	Explanation
1	1	Body / Gövde	MS58
2	1	Cap / Kapak	POLYCARBONATE
3	1	Washer / Pul	PA6
4	1	Thrust screw / Baskı Somunu	MS58
5	1	O-ring	NBR70
6	1	Handle for float / Şamandıra Kolu	AL
7	2	Tırnaklı Segman	Steel
8	1	Float / Şamandıra	Gurit